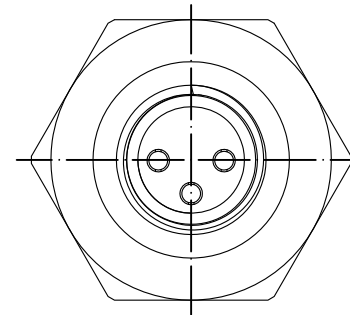
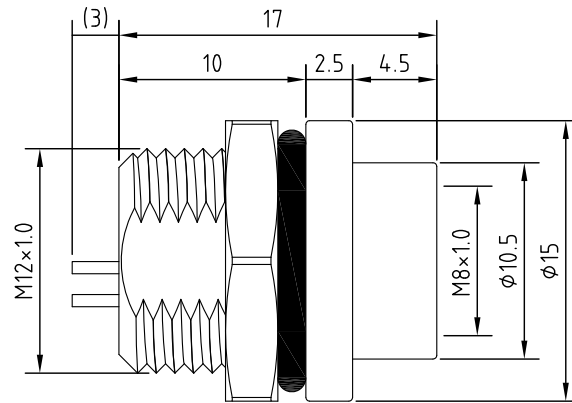
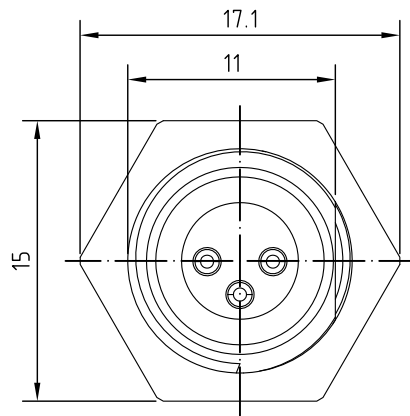


Recommended  
Panel cut-out

REV.	Description	Date
1	panel cut-out dimension revise	2020/9/16

Specification of connector

Locking system : screw M8  
 Termination : solder  
 Shell protection : IP68  
 Contact resistance :  $\leq 10\text{m}\Omega$   
 Insulation resistance :  $>10\text{M}\Omega$



RoHS  
 TOLERANCE X±0.5 .X±0.3  
 UL-Recognized file No.E359387

5	Nut	Brass/Nickel plated
4	O ring	Rubber
3	Body	Brass/Nickel plated
2	Pin	Brass/Gold plated
1	Housing	PA/UL94V-0
Item	Description	Material&Plating

CONTACT ARRANGEMENT FRONT VIEW (FEMALE)		
	3P	4P
Rated voltage	125V	
Rated current	5A	



Unicable Co., Ltd. 國陽電業有限公司

5F., No. 111-33, Sec. 4, San Ho Road., San Chung Dist., New Taipei City, Taiwan  
<http://www.unicable.com.tw> Tel:+886-2-2286-2122 Fax:+886-2-2286-1010

DATE	2020/9/16	PART NO.	UT-SP205M1-UL-XP
DWN	GINA	REV.	1
CHK			
UNIT	MM		

ITEM Sensor Connector M8